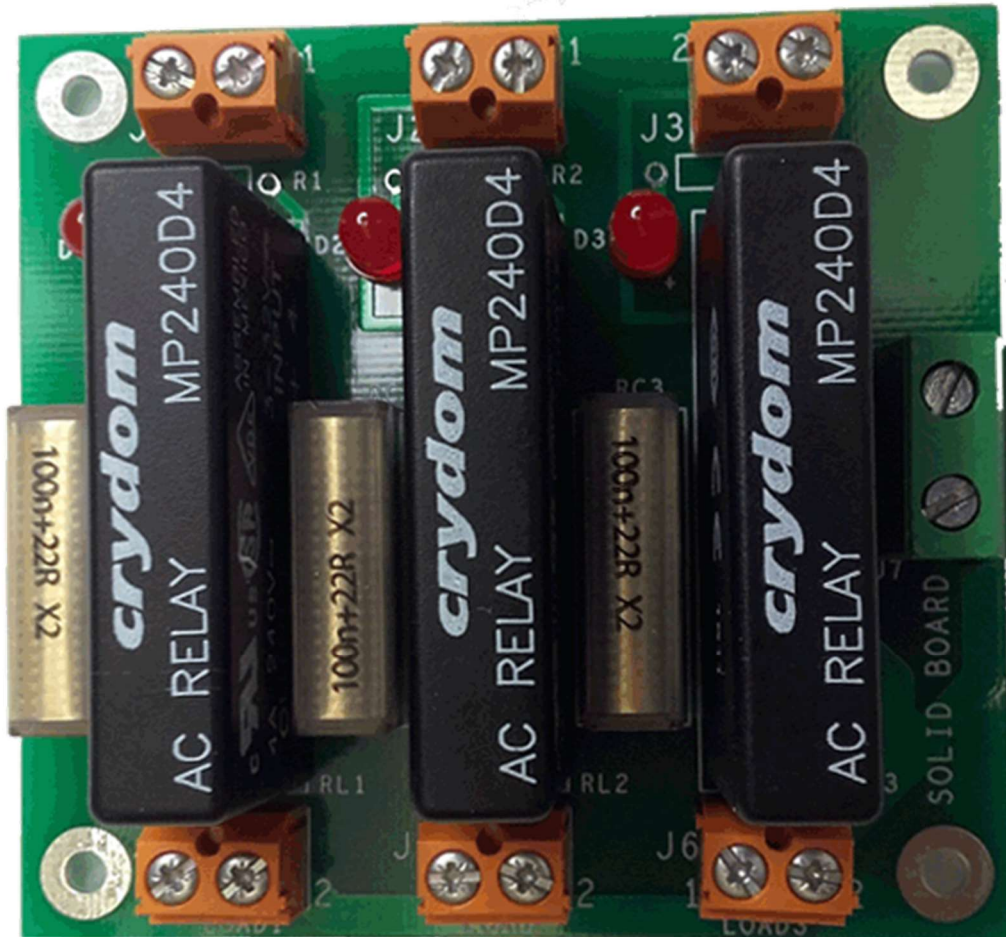


# THREE AC POWER OUTPUTS

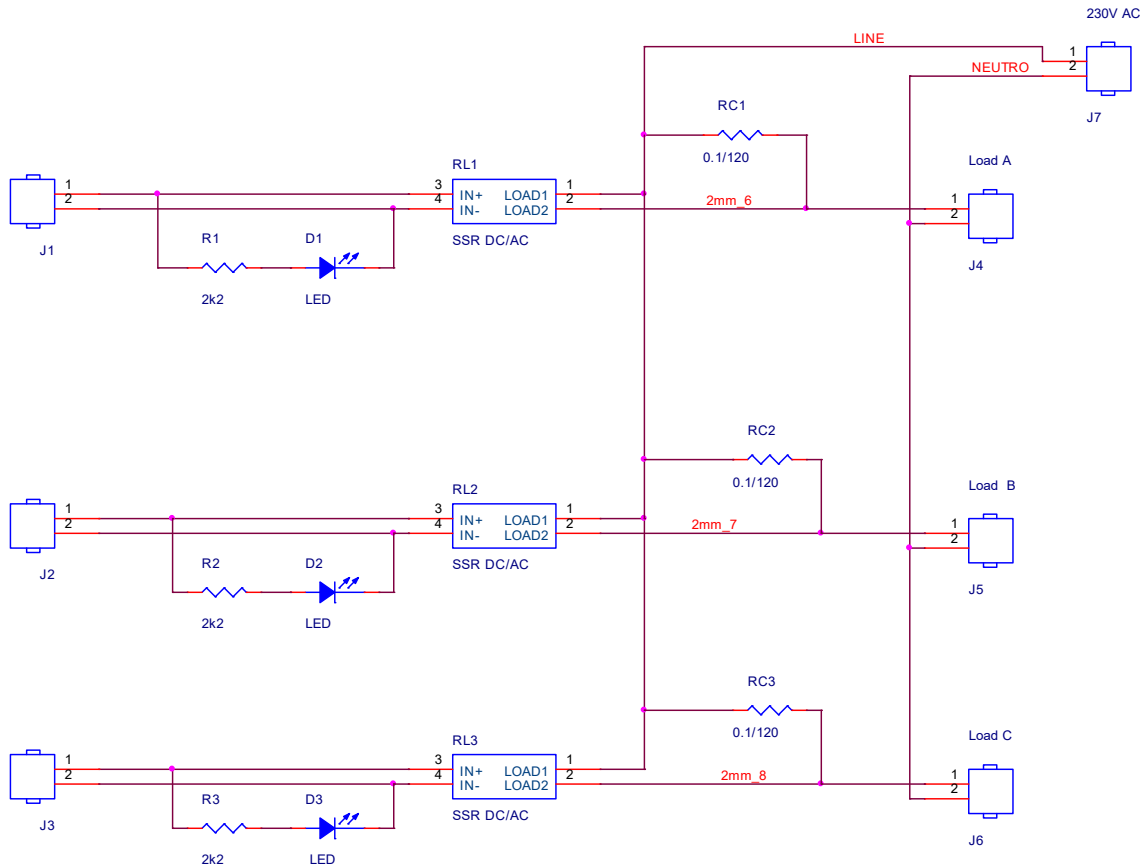
## Le-SR240V-4A-3



- Three SCR outputs 240V / 120V AC 4 A
- Switching on the zero pass of the network
- Snubber RC protection
- Compatible with 3.3V, 5.0V, 12V, 24V DC logic
- LEDs to indicate the status of the outputs
- 75 mm x 70 mm

The module can be used as an interface, to control different loads of alternating current, from a system based on microcontrollers.

Each of the three power outputs is controlled by a solid-state relay with triac output, which supports a current of up to 4 A.



The amplitude of the control signal must be between 3V and 32V DC, with a consumption less than 10 mA, so these can be controlled directly from the pins of any microcontroller.

