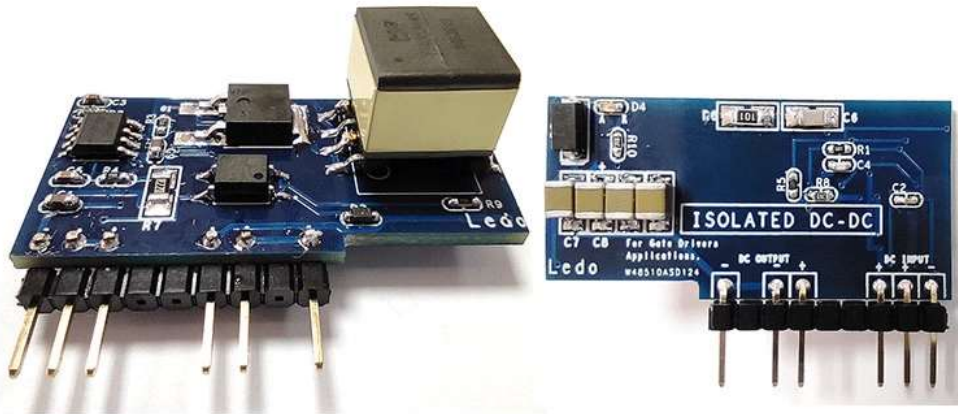


Le-DCDC-XX



6W Isolated DC-DC for Gate Driver Applications

- **Based on the popular UC3845 IC**
- **Input voltage: 10V... 18V DC**
- **Regulated output voltage**
 - Le-DCDC-15: 15V DC
 - Le-DCDC-20: 20V DC
 - Le-DCDC-24: 24V DC
- **Maximum power: 6W**
- **Overload and short circuit protection at the output**
- **Isolation voltage: 4 kV**
- **40mm x 20mm x 16mm**

Designed to be used in the manufacture of gate amplifier modules for the control of large MOSFETs and IGBTs, as a more economical variant compared to the use of commercial models of similar power, whose price does not go below \$ 30.00.

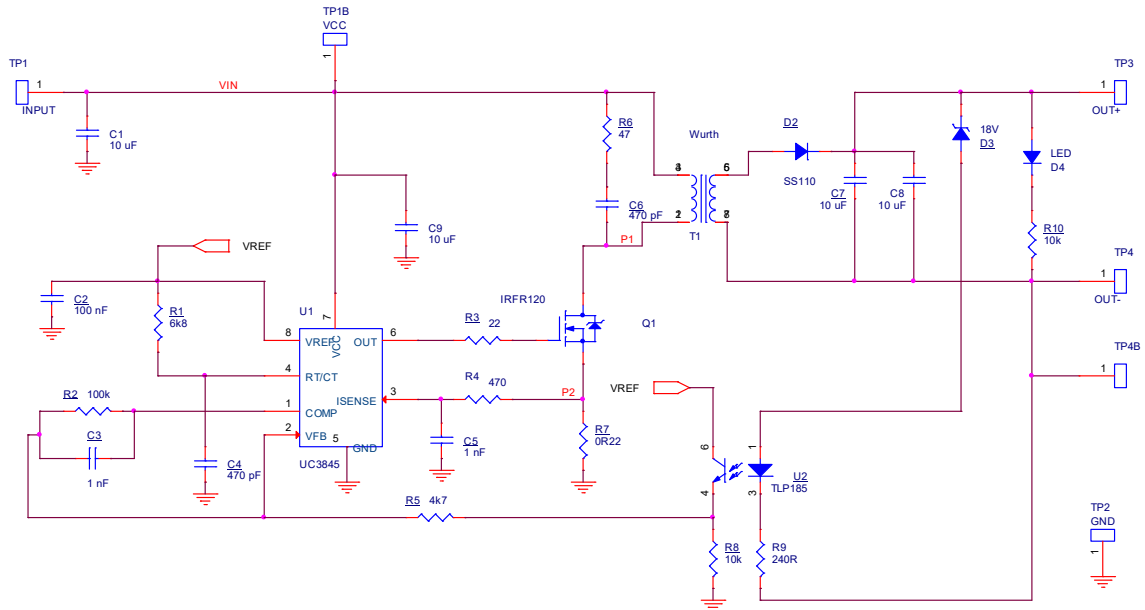


Fig.1. DC-DC Converter Schematics.

The converter works correctly without load, and with a maximum current at the output of up to 500 mA. The variation of the output voltage over the entire operating range is less than one volt.

Its use in the Le-DESAT-DRV gate amplifier module manufactured by Ledoelectronics is shown below.

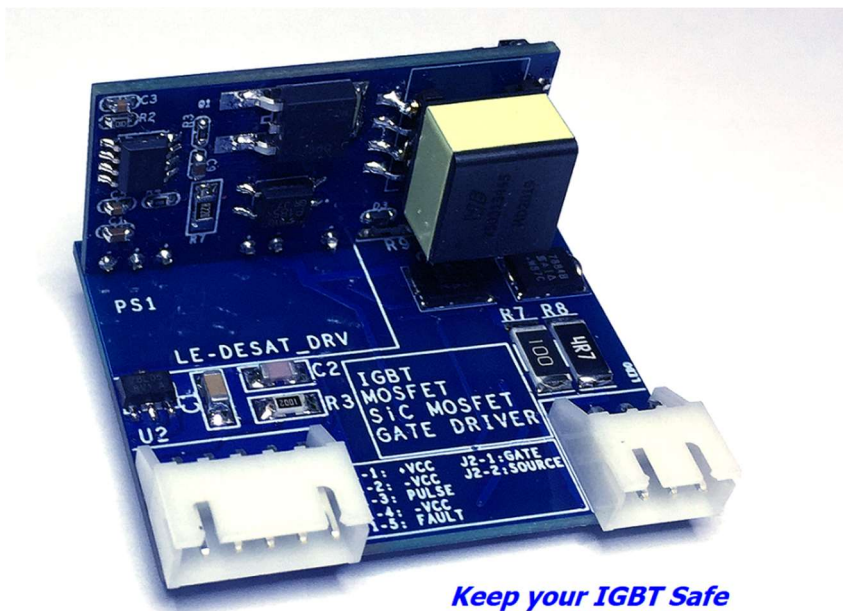




Fig.2. Board dimensions.

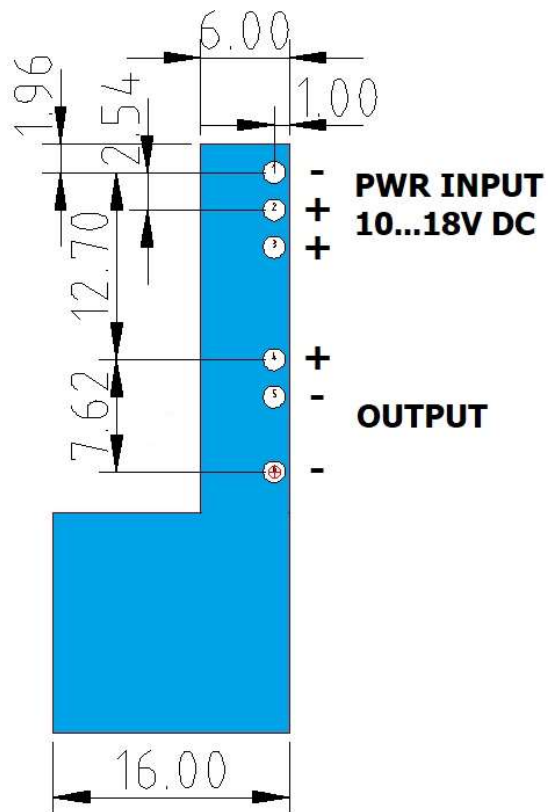


Fig.3. Footprint.